



ITEM

2022

GAS BOOSTER

LIQUID PUMP

PRESSURE TESTING

PRODUCT CATALOG



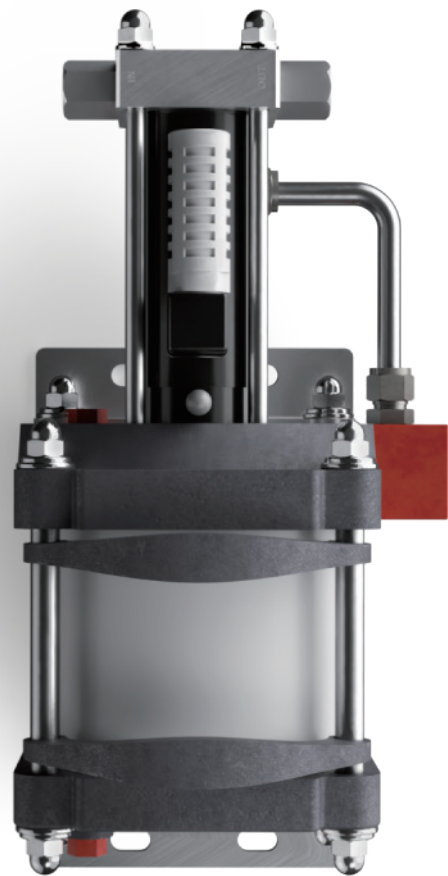
GAS BOOSTER

Pneumatic operation by applying **Pascal's Law**

Gas booster pressurizing through Cross-section ratio by Pascal's Law, create big energy by converting air pressure to straight reciprocal movement.

In this point, **inflowed gas through IN Check valve is compressed and outflowed / pressurized to the Out Check valve.**

- Applied in industrial gas and special gas such as Argon, Helium, Nitrogen, Oxygen etc.,
- Stay cool when working hard due to a cooling jacket.
- No requirement for electricity.
- Oil free, no requirement for oil replacement, contamination.
- Suitable for explosion proof area.
- Diversely compatible for different models according to using pressure and flow rate.



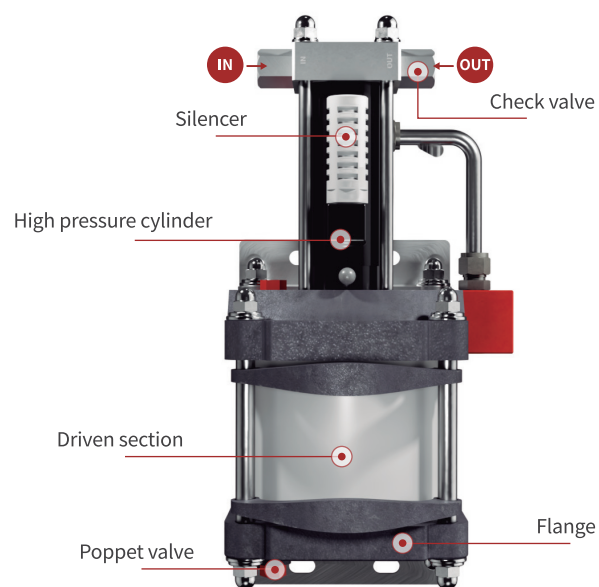
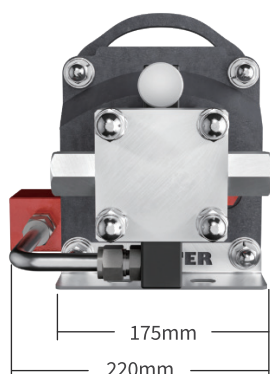
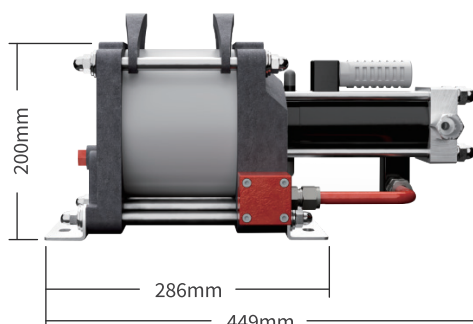


GB-SS SERIES

Single stage & Single driven

Gas Booster GB-SS consists of single stage and single driven part.
There are **5 types depending on compression ratio.**
(compression ratio: 1:7 / 14 / 30 / 50 / 75)

GB-SS SPECIFICATION



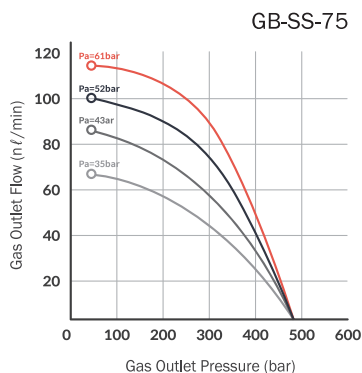
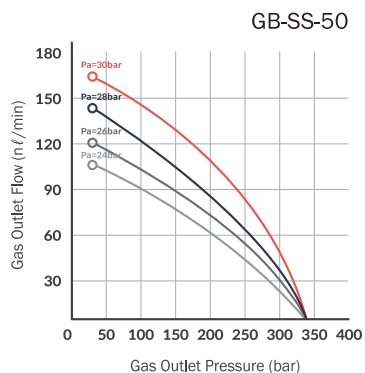
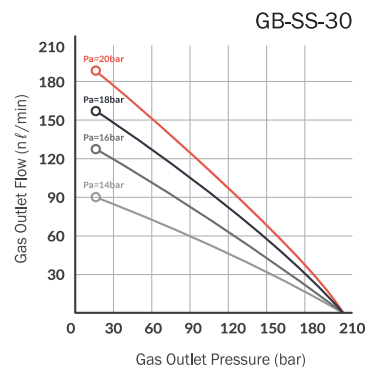
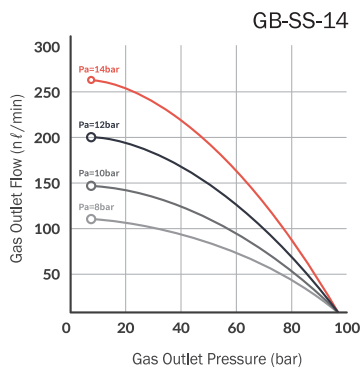
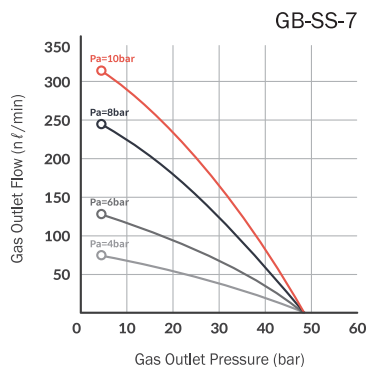
※ Please contact sales staff if you need further assistance.

Model	SS - 7	SS - 14	SS - 30	SS - 50	SS - 75
Ratio	1 : 7	1 : 14	1 : 30	1 : 50	1 : 75
Air Drive Pressure (kg / cm ²)	5 ~ 10				
Max. Pressure (kg / cm ²)	49	98	210	350	525
Min.Suction Pressure (kg / cm ²)	4	7	14	21	35
Connections (inlet / outlet)	1/2" PT / 1/2" PT		9/16" 18 UNF / 9/16" 18 UNF		
Weight (kg)	16	16	17	18	18

※ M,P(kg/cm²) = Ratio * Air Drive Pressure(kg/cm²) ※ M.P is calculated with 7 bar(standardized air pressure).

※ Weight is approximate value.

GB-SS PERFORMANCE CURVES



Theoretical charging time formula

Reservoir tank x atm = TAL

TAL / (Flow rate/sec) = total charging time

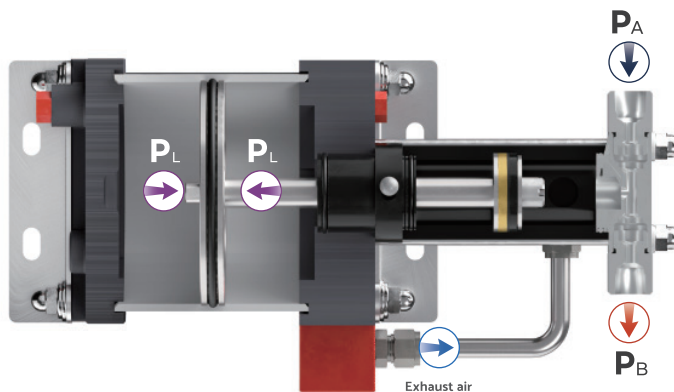
* Outlet pressure (Pb) = IPI

(Outlet Pressure = Compression ratio · Air drive)

Precautions

- There are lots of variables when increasing pressure under high pressure.
- Driven part: driven air pressure, flow rate
- High pressure part: inflow gas pressure, feed rate
- Actual flow rate will be different depending on utility.

GB-SS OVERVIEW



P_A Suction gas

P_B Discharging gas

P_L Air drive



140, Daehwa-ro 106 beon-gil, Daedeok-gu, Daejeon Pumster Co., Ltd.
TEL. 042 716 0085 | FAX. 042 716 0086 | pumster@pumster.com

