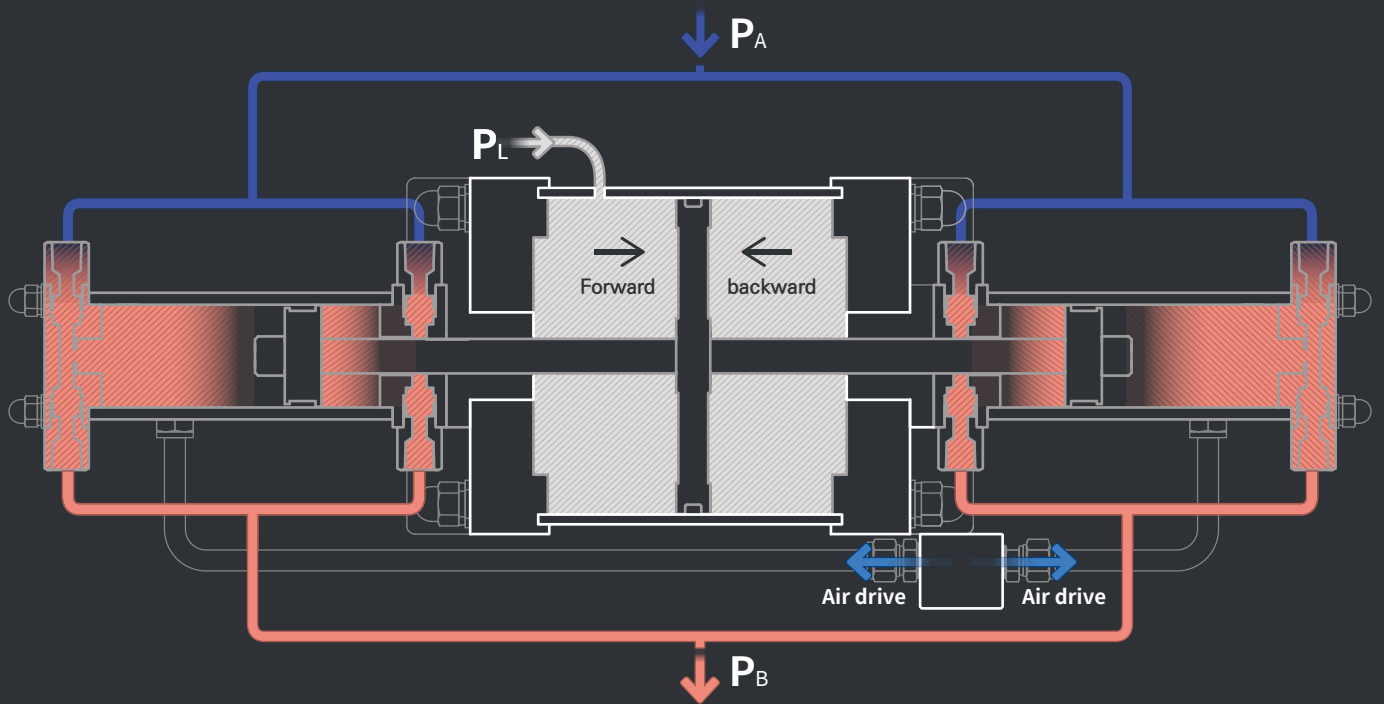


GAS BOOSTER

pumster
INDUSTRY LEADER IN PUMP & BOOSTER

QS-7(200) OVERVIEW

→ Exhaust air ← Inlet pressure → Air drive → Outlet pressure



Flow sequence

